



## The Industry's Only Aeronautical Telemetry Ground Station In The Palm of Your Hands

40 cubic inches

50 watts

2 pounds



### Lumistar's LS-28-DRSM

Modular Unit Performs  
Virtually All Typical  
Ground System Functions

- *Dual or Single Channel*
- *Receiving & Combining*
- *Multimode Demodulation*
- *Up to 60 Mbps*
- *Bit Sync / Frame Sync*
- *Decom*
- *TMoIP*
- *Chapter 10 / IRIG-218*
- *Bit Data Recording*
- *Includes Chapter 10 format*
- *Data Simulation, two streams*
- *IF Digital Modulator*
- *IRIG and PTP Time*
- *LDPC/Viterbi /Reed-Solomon*
- *Graphical User Displays*
- *Health and Status Indicators*
- *Intuitive User Interface*

*Available in Modular, Portable  
and Rack Mount Configurations*

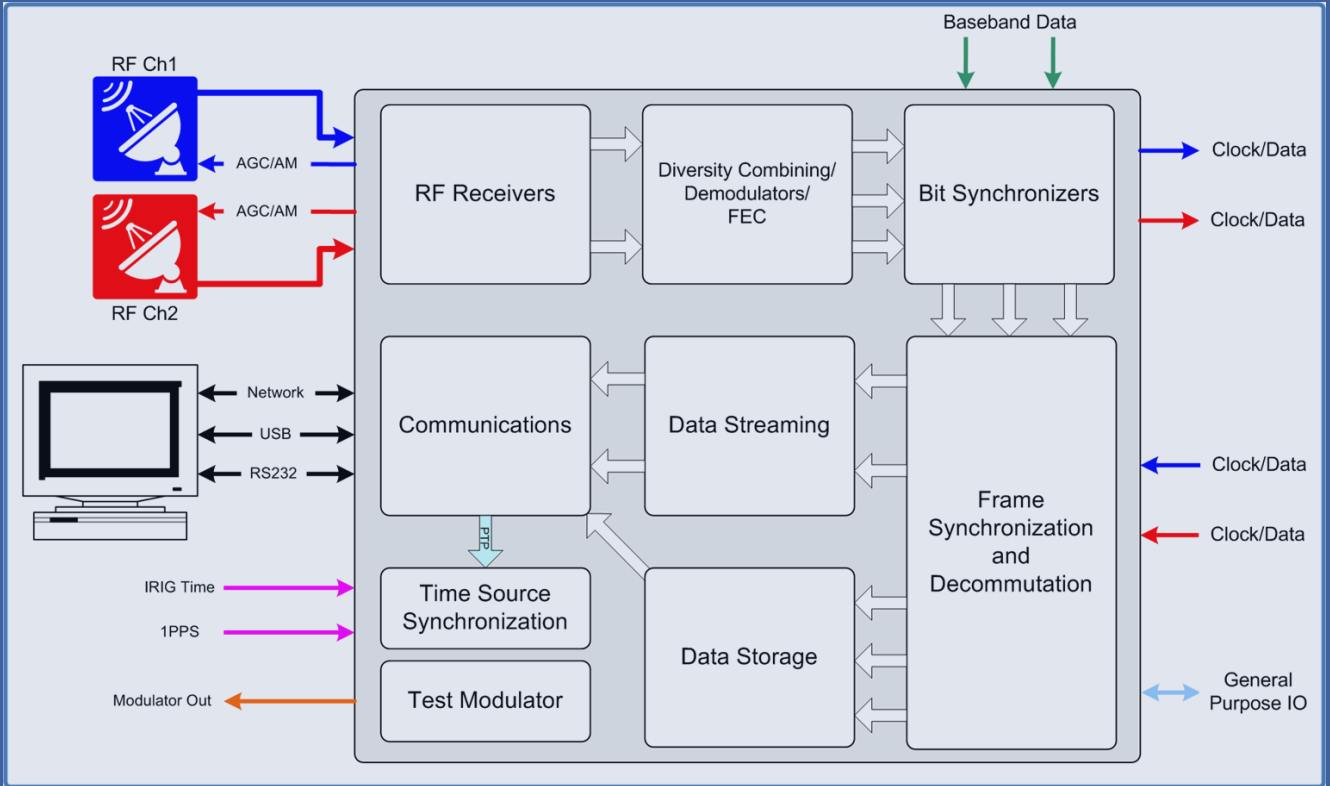


Lumistar Inc.

3186 Lionshead Ave  
[sales@lumistar.net](mailto:sales@lumistar.net)

Suite 100

Carlsbad CA 92010  
[www.lumistar.net](http://www.lumistar.net)



## High Level Block Diagram of the LS-28-DRSM Telemetry System

Lumistar Inc.

3186 Lionshead Ave  
[sales@lumistar.net](mailto:sales@lumistar.net)

Suite 100

Carlsbad CA 92010  
[www.lumistar.net](http://www.lumistar.net)