

# VIDEO WALL SERIES

Deployable systems

## 2 x 2 x 46"

### DEPLOYABLE VIDEO WALL SOLUTION

#### KEY FEATURES

- 92" screen of 8 mega pixels
- 20-minute fast, easy and secure assembling
- Ready to use in 30 minutes
- Transportable in weatherproof rugged transit cases
- Can be installed on uneven ground up to 5% incline
- Ideal for temporary indoor, command post & field installations
- Lock out patented system
- Emission security - TEMPEST standards:
  - NATO SDIP-27 Level A & USA NSTISSAM Level 1
- Multiple video sources, scalable per application
- User friendly and self explanatory plug and play software

#### OVERVIEW

The MILCOTS 2x2x46 deployable LCD video wall is a COTS field-proven system ideal for the military and first responders. Mobile and transportable, it can be reliably deployed anywhere to rapidly provide a command and control or situation awareness in a tactical environment. Widely used by Army forces in the field, it is also the solution of choice for managing any critical situations. It can be set in minutes in a building, under an inflatable tent or in a mobile shelter.

**See also the MILCOTS' 46 inches 3 x 3 (9 monitors), 2 x 3 (6 monitors) and the MILCOTS 2x2x55" deployable video wall as well as our range of rugged stand alone rugged monitors (HD and 4K)**

211 Island road | Mahwah, NJ 07430 T 845.357.6700 F 845.368.8799 info@milcots.com  
www.milcots.com



#### MULTIPLE VIDEO FEEDS FOR MULTIPLE DISPLAYS

The quad 46 MILCOTS video wall is the ideal tool for monitoring and displaying multiple video and audio sources. Easy to assemble, it can be installed on uneven ground while maintaining picture and sound quality. The MILCOTS 2x2x46" near-seamless video wall is an energy and cost efficient package. Designed around 4x46in digital signage LCDs, and provided with an open architecture graphic controller with expansion slots, this complete solution is prepared for added capability and will grow with the need. Delivered as a complete package, it's a real turn key solution, that can be tailored to specific requests.



**Milcots**  
SAFER WORLD GROUP  
*Rugged, Trusted*

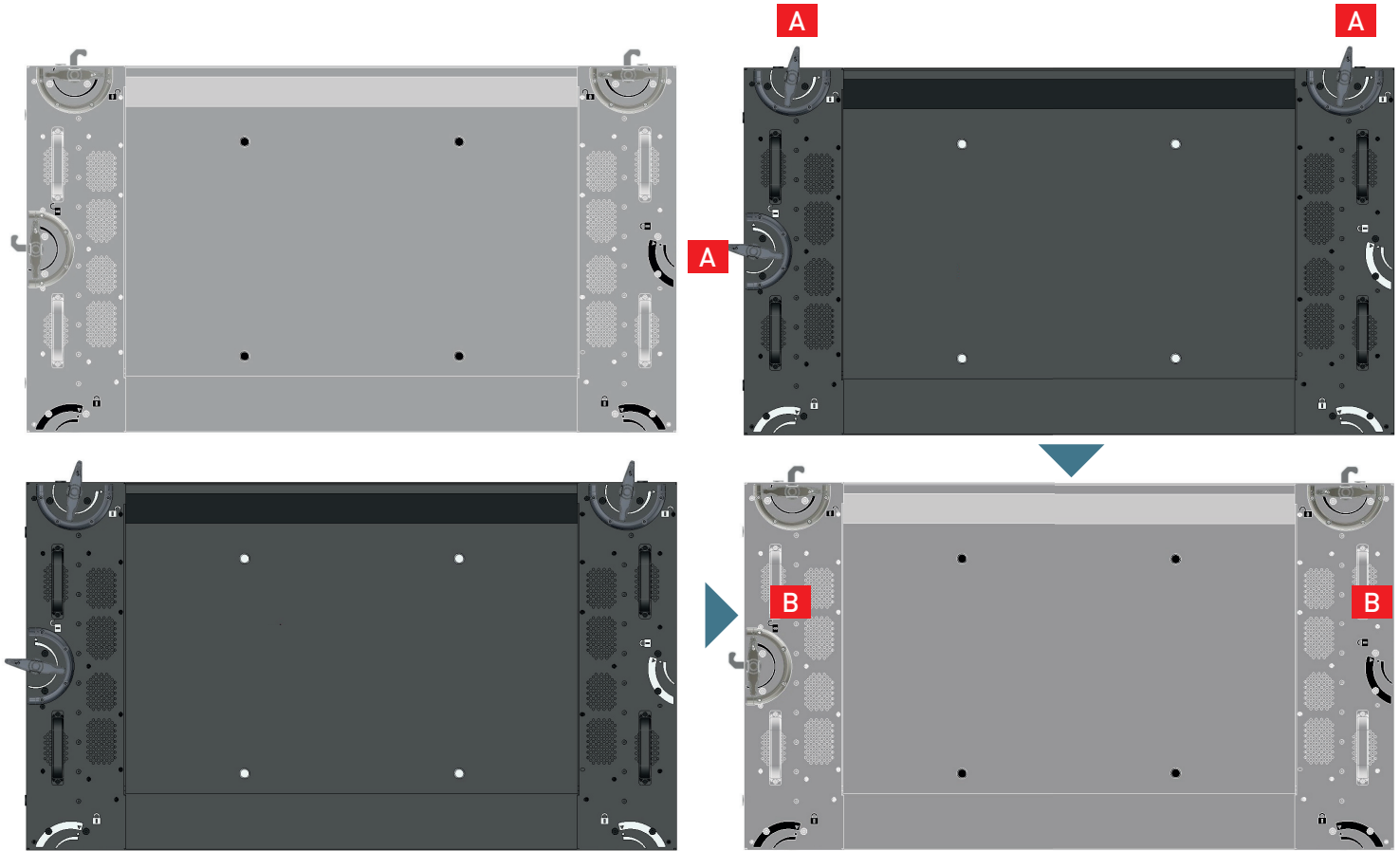
Main Features		46" monitor		
<b>Display area</b>	Diagonal size	92"	Dot pitch	0.53 mm (H), 0.53 mm (V)
	Dimensions	80" x 45"	Viewing angles	178° (H) / 178° (V)
	Resolution	3840 x 2160	Response time	8 ms (G to G)
	Screen ratio	16:9	Contrast ratio	3500 : 1
	Brightness	450 cd/m <sup>2</sup>	Display color	8 bit - 16.7 M
<b>Graphic controller</b>	Video outputs	4 x Full HD (1920 x 1080) display ports		
	Video inputs (option available)	1 x Full HD (1920 x 1080) DVI for local display 10 x DVI Full HD (1920 x 1080) display ports 1 x composite		
<b>Audio</b>	1 x 60 W equalizer	1 x microphone		
	1 x RCA inputs	2 x speakers		
	1 x anti-larsen box			
<b>Virtual desktop converter</b>	4 x Full HD (1920 x 1080) video display outputs			
<b>Software</b>	Wall Control 10 (Datapath)			
	ACM (Samsung) Advanced Color Management			
<b>Operating system</b>	Windows 10 PRO			
<b>Electrical features</b>	110-240 VAC, 50-60 Hz, 1200 W max consumption			
<b>Operational configuration</b>				
4 x MILCOTS 46" thin bezel monitors		1 x sound equipment (60 W-amplifier equalizer + microphone + speakers)		
1 x support frame lifting mechanism		1 x UPS		
keyboard + mouse + soft keyboard		1 x connecting cables bundle		
<b>Structure</b>				
<b>Lifting system compact</b>	1 x support structure with embedded lifting system			
	4 x ground stabilizers (+ front protected)			
	Foot print 3.4 ft x 4.8 ft (1036 x 1460 mm)			
<b>Controls</b>	Up & down button (lifting engine)			
<b>Height</b>	Adjustable			
	Min. height at top of video wall: 68.5" (1740mm) Max. height at top of video wall: 115" (2920mm)			
<b>Display wall controller</b>		DATAPATH VSN 970		
<b>Graphic cards</b>	1 x Image DP4: 4 x display port video output connectors			
	2 x Quadri Capture Vision HD4: 8 x DVI video input connectors			
	1 x Capture Vision HV-HD: 2 x DVI video outputs + composite video input connectors			
<b>Hard drive</b>	2 x Western Digital RED 750 HDD			
<b>I/O</b>	Back: 2 x USB 3.0, 2 x USB 2.0, 1 x DVI-D, Front: 2 x USB 3.0			
<b>Electrical features</b>	115-240 V, 550 W consumption			
<b>Physical features</b>	17.5"x 16.1" x 7.2", 53 lbs, aluminum enclosure, black			
<b>Operating system</b>	Windows 10 Pro 64 OEM, Secure Computer System			
<b>Options</b>				
<b>Controller</b>	Expansion slots available: up to 80 video captures			
<b>Configuration</b>	Can be adjusted into a 2x3x46 or a 3x3x46 video wall			
<b>Multiplex</b>	Can drive a second independent video wall from the same sources - cable or fiber interface			
<b>Luminance</b>	700 cd/m <sup>2</sup> (DID grade 24/7 ready monitor)			
<b>Environmental Conditions</b>				
<b>Vibrations</b>	In specific transport case MIL STD 810 uneven road transportation - trucks			
<b>Shocks</b>	In specific transport case MIL STD 810			
<b>Humidity</b>	30 to 80% as per MIL STD 810			
<b>Ingress Protection</b>	IP50			
<b>Operating temperature</b>	+ 5° to + 35° C as per MIL STD 810			
<b>Storage temperature</b>	- 20° to + 49° C as per MIL STD 810			
<b>Warranty</b>				
Two-year limited warranty (parts and labor)				
Additional 2 years coverage and customized service plans available on request.				

211 Island road | Mahwah, NJ 07430 T 845.357.6700 F 845.368.8799 info@milcots.com  
www.milcots.com



# PATENTED ASSEMBLY PROCESS

Based on D-LED DID technology and providing a 1.8 mm edges and 5.5 mm bezel-to-bezel width, the 46in monitor offers a sharp and vivid picture. Making any information easily readable, the MILCOTS 46" Thin Edge - monitor is specifically designed to be mounted and integrated as a video wall. The rear side of the monitor embeds three twist locks (A) and two carrying handles (B) to make assembling & disassembling safe, quick and easy while reducing the gap between displays to the minimum.

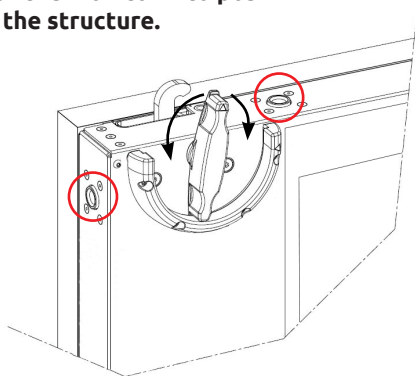


Monitors are secured during integration by means of locking devices.

**A**

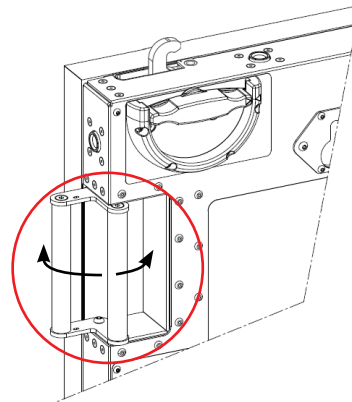
The 3 twist devices lock the monitor into position or release it from the structure.

MILCOTS' patented shock absorbers protect the monitor from being damaged when assembling the wall.



**B**

A 90° rotation enables to stick the handles out, so 2 persons can carry the monitor.



211 Island road | Mahwah, NJ 07430 T 845.357.6700 F 845.368.8799 info@milcots.com  
www.milcots.com



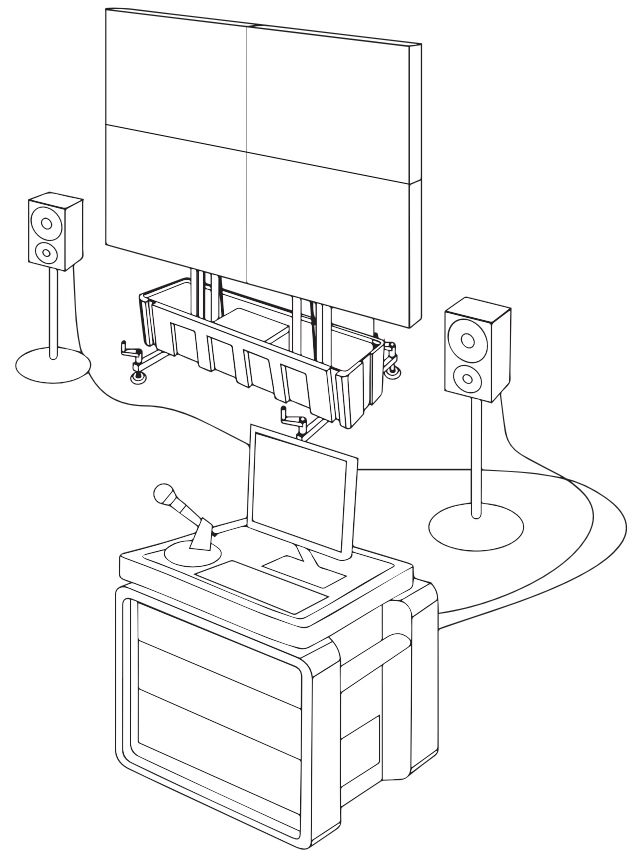
**Milcots**  
SAFER WORLD GROUP  
*Rugged, Trusted*

MILCOTS - 05/2018. All rights reserved. All products names are trademarks of their respective owners. Information is subject to change without notice. Only MILCOTS installation and interface drawings are contractual documents.

# DEPLOYABLE VIDEO WALL DESCRIPTION

Thanks to its adjustable height, the MILCOTS deployable video wall is a unique portable information system that fits in a small or a large command post tent. This easy-to-deploy, intuitive and user friendly equipment can be erected by 2 people in less than 20 minutes and ready to use in 30 minutes.

**The illustration shows a typical audio and video configuration.**



## The LCD video wall package is a complete audio & video system

The graphic controller case consists of :

- One graphic controller enabling audio and video
- One sound amplifier & speakers as well as anti-feedback - Larsen - equipment
- One integrated UPS to protect data and equipment against voltage interruptions

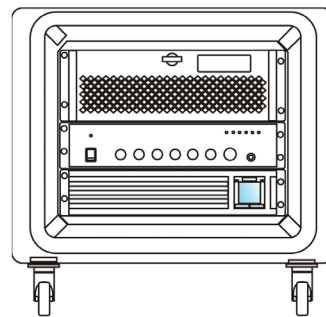
A programmable keyboard - soft keyboard - will store and recover any previous scenario (\*).

(\* ) A scenario includes the selection of the video captures to be displayed and combined on the wall at will. For the standard version, 11 video captures are available, and up to 80 if all capture options are implemented in the video wall controller.

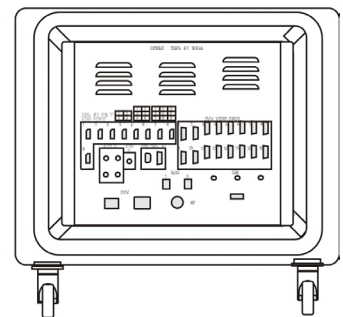
211 Island road | Mahwah, NJ 07430 T 845.357.6700 F 845.368.8799 info@milcots.com  
www.milcots.com

MILCOTS - 05/2018. All rights reserved. All products names are trademarks of their respective owners. Information is subject to change without notice. Only MILCOTS installation and interface drawings are contractual documents.

FRONT

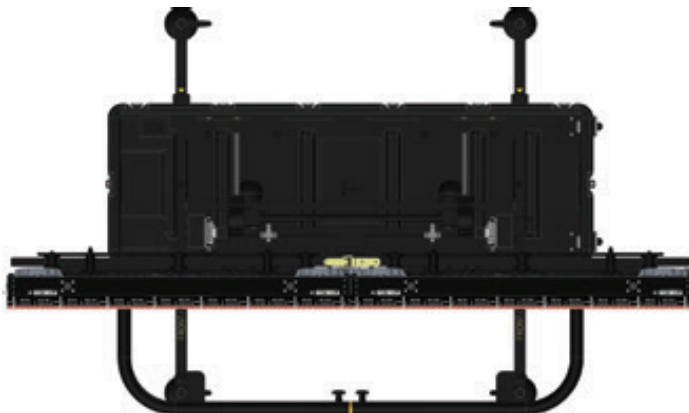


REAR



  
**Milcots**  
SAFER WORLD GROUP  
*Rugged, Trusted*

# PRODUCT DESIGN



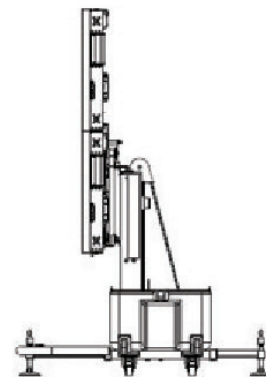
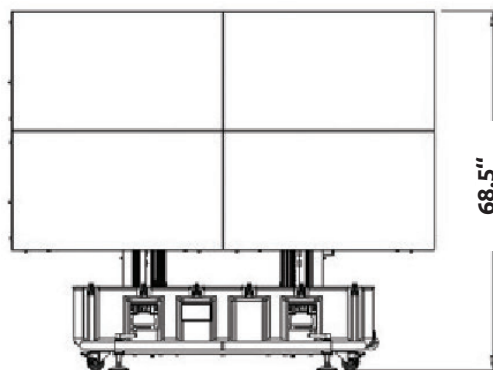
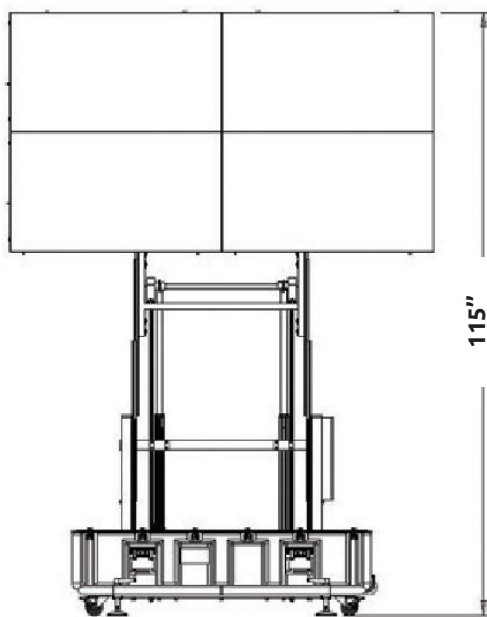
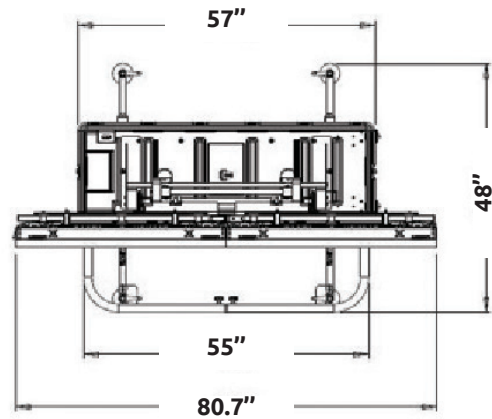
211 Island road | Mahwah, NJ 07430 T 845.357.6700 F 845.368.8799 info@milcots.com  
www.milcots.com

  
**Milcots**  
SAFER WORLD GROUP  
*Rugged, Trusted*

MILCOTS - 05/2018. All rights reserved. All products names are trademarks of their respective owners. Information is subject to change without notice. Only MILCOTS installation and interface drawings are contractual documents.

# DIMENSIONS

## HEIGHT ADJUSTMENT & SPACE REQUIREMENTS



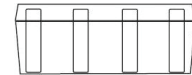
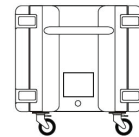
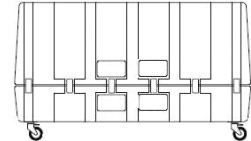
211 Island road | Mahwah, NJ 07430 T 845.357.6700 F 845.368.8799 info@milcots.com  
www.milcots.com



# MOBILITY / TRANSPORT

The quad 46 video wall can be installed by two persons only. The 4 monitors, support frame, video wall controller and accessories are stored and transported into seven specific cases, labeled for chronological order of assembly :

Cases (11)			
1 x Large case			
<b>Dimensions</b>	45.7"x18.9"x37.6" (1161 x 479 x 954 mm)		
<b>Weight</b>	< 220 lbs (< 100 kg)		
<b>Contents</b>	Support frame lifting mechanism		
1 x Large case			
<b>Dimensions</b>	45.7"x18.9"x37.6" (1161 x 479 x 954 mm)		
<b>Weight</b>	< 220 lbs (< 100 kg)		
<b>Contents</b>	Support frame lifting mechanism accessories		
2 x Large cases			
<b>Dimensions</b>	45.7"x18.9"x37.6" each (1161 x 479 x 954 mm)		
<b>Weight</b>	< 220 lbs each (< 100 Kg)		
<b>Contents</b>	4 x 46" monitor		
1 x 8U case			
<b>Dimensions</b>	29.5"x27.6"x22.5" (750 x 702 x 572 mm)		
<b>Weight</b>	200 lbs (80 kg)		
<b>Contents</b>	Controller Secured back panel with silk printed identified connections Rackmounted audio amplifier with 3 inputs Rackmounted 1000 VA UPS		
2 x Reinforced cases			
<b>Dimensions</b>	(31.2"x24.2"x 17.5") 794 x 615 x 444 mm		
<b>Weight</b>	< 125 lbs (< 50 kg)		
<b>Contents</b>	1 x Audio Equipment and accessories set of cables, keyboard, monitor, mouse		
<b>Total weight</b>			
<b>&lt; 580 kg</b>		<b>&lt; 1280 lbs</b>	
<b>Total volume / surface area</b>			



## 20-foot container

78.7 ft (w) x 6.2 ft (d) x 3.3 ft (h) / 41 sq ft  
2000 mm (w) x 1900 mm (d) x 1000 mm (h) / 3.8 m<sup>2</sup>

## TRANSPORT CASES CONFIGURATION



211 Island road | Mahwah, NJ 07430 T 845.357.6700 F 845.368.8799 info@milcots.com  
www.milcots.com



# WALL OF FAME



« MILCOTS is proud to support armed forces in every theater of operations, bringing solutions helping ensuring national security and enhancing our safety while participating in peacekeeping operations... »



211 Island road | Mahwah, NJ 07430 T 845.357.6700 F 845.368.8799 info@milcots.com  
www.milcots.com

  
**Milcots**  
SAFER WORLD GROUP  
*Rugged, Trusted*

MILCOTS - 05/2018. All rights reserved. All products names are trademarks of their respective owners. Information is subject to change without notice. Only MILCOTS installation and interface drawings are contractual documents.