



Features

- Housed in a small chassis measuring 5.25" H x 8.5" W x 14" D
- Weighs 17 pounds (7.7 kg)
- Shock and vibration-resistant SSDs perform well in vehicles, ships and aircraft
- 500 MHz 12-bit A/Ds or 400 MHz 14-bit A/Ds
- 800 MHz 16-bit D/As
- 200 MHz record and playback signal bandwidths
- Real-time aggregate recording rates of up to 2.0 GB/sec
- DDC decimation and DUC interpolation range from 2 to 65,536
- Up to 200 MHz record and playback signal bandwidths
- Recording and playback of IF signals up to 700 MHz
- Up to 30 terabytes of SSD storage to NTFS RAID solid state disk array
- Windows® workstation with high performance Intel® Core™ i7 processor
- SystemFlow® GUI with Signal Viewer analysis tool
- File headers include time stamping and recording parameters
- Optional GPS time and position stamping

General Information

Optimized for SWaP (size, weight and power,) the Pentek Talon® RTR Small Form Factor (SFF) product line provides the performance and storage capacity previously only possible in much larger rackmountable chassis. Measuring 5.25" H x 8.5" W x 14" D and weighing only 17 pounds (7.7 kg), this small package can hold up to 30.6 TB of SSD storage.

Configured with two A/Ds and two D/As, the 2547 provides the ability to play back two channels of real data or one channel of complex data with the available DUC.

Built-in digital downconverters and upconverters allow for IF signals to be converted to baseband and reproduced at the original IF frequency.

A/D sampling rates, DDC decimations and bandwidths, D/A sampling rates, and DUC interpolations are among the GUI-selectable system parameters, providing a fully programmable system capable of recording and reproducing a wide range of signals.

An ATX power supply accepts 110-240 VAC, drawing under 150 W and typically around 100 W. SFF Models have the option for a 6-30 VDC power supply.

Eight front panel data drives can be easily removed along with a front panel removable OS drive to allow all non-volatile memory to be removed from the system in seconds. An optional GPS receiver allows for precise GPS time and position stamping.

SystemFlow Software

All Talon Rugged Small Form Factor recorders include the Pentek SystemFlow recording software. SystemFlow features a Windows-based GUI (Graphical User Inter-

face) that provides a simple means to configure and control the recorder. A user API is also included to allow custom recorder control interfaces to be easily built.

SystemFlow provides signal viewing and analysis tools that allow the user to monitor the signal prior to, during, and after a recording session. These tools include a virtual oscilloscope, spectrum analyzer and spectrogram displays.

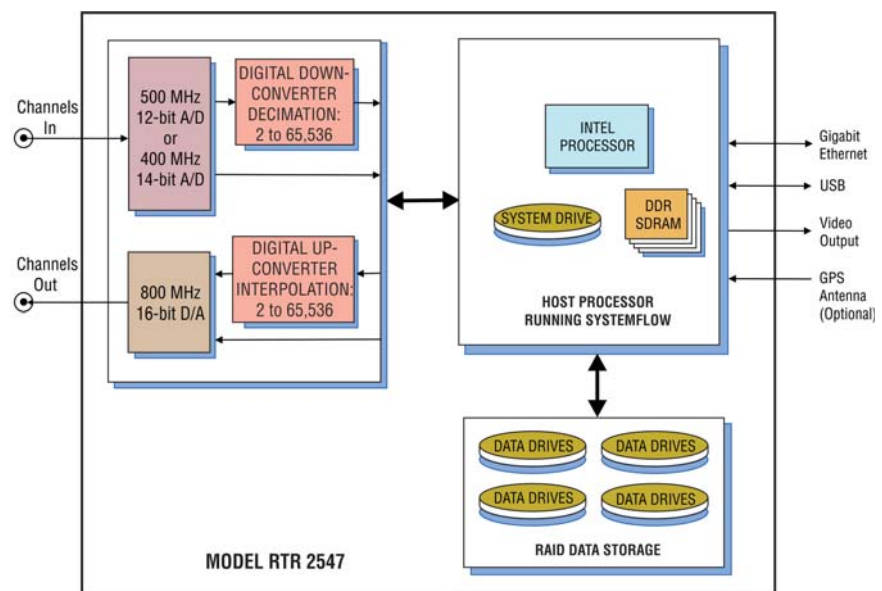
Built on a Windows Professional workstation, all Talon SFF recorders allow the user to install post-processing and analysis tools to operate on the recorded data. The system records data to the native NTFS file system, providing immediate access to the recorded data files.

Rugged and Flexible Architecture

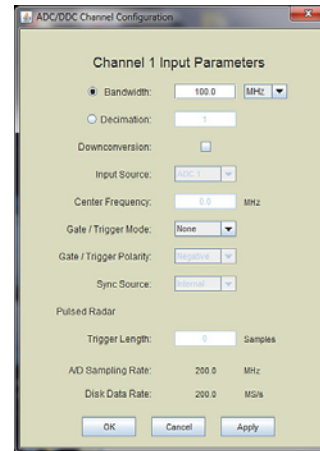
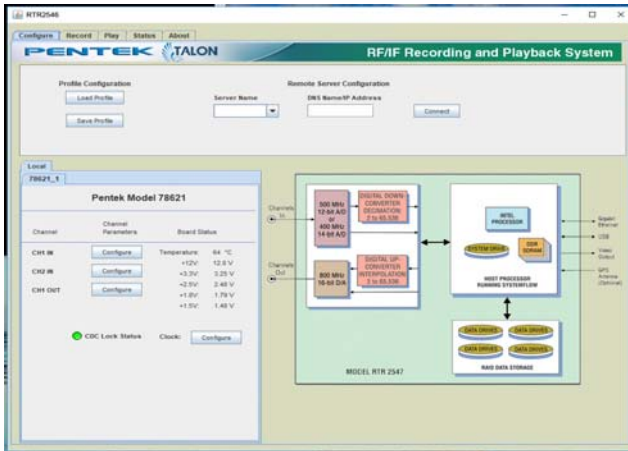
The SFF system is configured with hot-swappable SSDs, front-panel USB ports, and I/O connectors on the rear panel. It is built in an extremely rugged steel and aluminum chassis and is tested for shock and vibration. The SSDs provide storage capacities of up to 30.6 TB. Drives can be easily removed or exchanged during or after a mission to retrieve recorded data. Multiple RAID levels, including 0, 5, and 6, provide a choice for the required level of redundancy.

A push of a button unlatches each of the data drives and the OS drive. Drives are mounted on sleds and can be easily transferred to an offload system while the recorder stays in the field.

PC and signal I/O is available on the rear panel with standard connectors. ➤



► SystemFlow Graphical User Interface

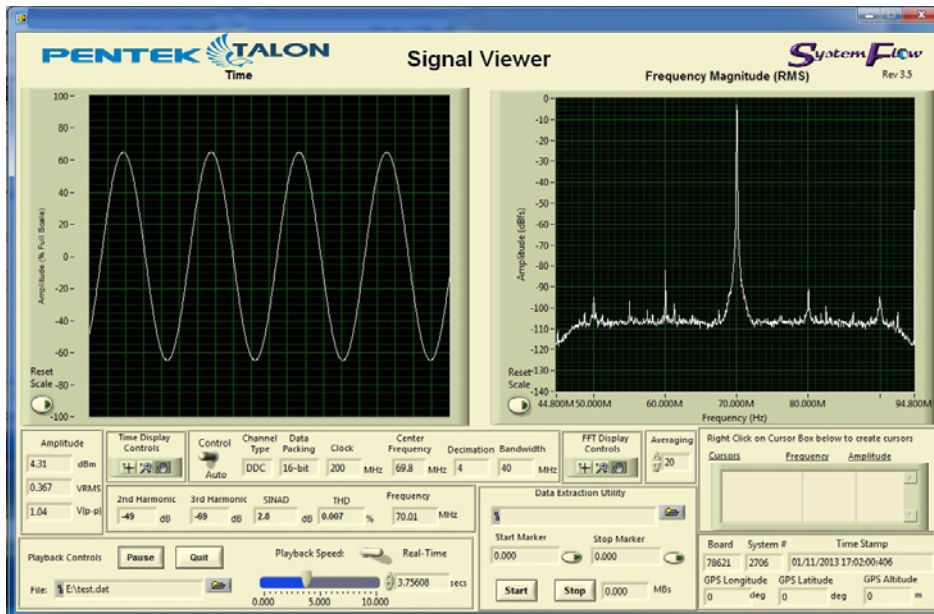


SystemFlow Recorder Interface

The RTR 2747 GUI provides the user with a control interface for the recording system. It includes Configuration, Record, Playback and Status screens, each with intuitive controls and indicators. The user can easily move between screens to set configuration parameters, control and monitor a recording, play back a recorded signal and monitor board temperature and voltage levels. The signal viewer, integrated into the recording GUI, allows the user to monitor real-time signals or signals recorded on disk.

SystemFlow Hardware Configuration Interface

The RTR 2747 Configure screens provide a simple and intuitive means for setting up the system parameters. The DDC configuration screen shown here, allows user entries for input source, center frequency, decimation, as well as gate and trigger information. All parameters contain limit-checking and integrated help to provide an easier-to-use out-of-the-box experience.



SystemFlow Signal Viewer

The SystemFlow Signal Viewer includes a virtual oscilloscope and spectrum analyzer for signal monitoring in both the time and frequency domains. It is extremely useful for previewing live inputs prior to recording, and for monitoring signals as they are being recorded to help ensure successful recording sessions. The viewer can also be used to inspect and analyze the recorded files after the recording is complete.

Advanced signal analysis capabilities include automatic calculators for signal amplitude and frequency, second and third harmonic components, THD (total harmonic distortion) and SINAD (signal to noise and distortion). With time and frequency zoom, panning modes and dual, annotated cursors to mark and measure points of interest, the SystemFlow Signal Viewer can often eliminate the need for a separate oscilloscope or spectrum analyzer in the field. ►

► Specifications

PC Workstation (standard configuration)

Operating System: Windows workstation
Processor: Intel i7 7700K (7th Gen) quad core processor
Clock Speed: 4.2 GHz
Operating System Drive: 250 GB SSD
SDRAM: 8 GB standard, 16 GB or 32 GB optional
RAID

Total Storage: 3.8 TB – 30.6 TB
Supported RAID Levels: 0, 5 and 6
Drive Bays: Hot-swap, removable, front panel

Rear Panel I/O

Four USB 3.0 ports
 Two Gigabit RJ45 ports
 Two HDMI and One DVI ports
 Audio and PS2 ports
 USB 3.0 Type-C port
 Two Wi-Fi antenna ports

Front Panel I/O

Two USB 2.0 ports
 Power and recessed RESET buttons
 LED indicators for power and HDD access

Analog Signal Inputs

Transformer-coupled, female SSMC connectors
Transformer Type: Coil Craft WBC4-6TLB
Full Scale Input: +5 dBm into 50 ohms
3 dB Passband: 300 kHz to 700 MHz

A/D Converters

Type: Texas Instruments ADS5463 or ADS5474(Option-014)
Sampling Rate (f_s): 10 MHz to 500 MHz
Resolution: 12 Bits or 14 bits (Option -014)
A/D Record Bandwidth: $f_s/2$ = Nyquist bandwidth
Anti-Aliasing Filters: External, user-supplied

Digital Downconverter

Type: Pentek IP Core
Decimation(D): 2 to 65,536
IF Center Frequency Tuning: DC to f_s , 32 bits
DDC Usable Bandwidth: $0.8 \cdot f_s / D$

Analog Signal Outputs

Connectors: Transformer-coupled, female SSMC
Full Scale Output: +4 dBm into 50 ohms
3 dB Passband: 300 kHz to 700 MHz

Digital Upconverter, Interpolator and D/As

D/A Resolution: 16 bits
Output Signal: Analog, real or quadrature
Type: TI DAC5688 and Pentek-installed IP core interpolator
Interpolation: 2 to 65,536
Input Data Rate to DAC5688: 250 MS/sec max.
Output Sampling Rate: 800 MHz max
Output IF: DC to 400 MHz
Bandwidth Range: Matches recording bandwidths

Clock Sources: Selectable from onboard programmable VCXO, external or LVDS clocks

External Clocks

Type: Female SSMC connector, sine wave, 0 to +12 dBm, AC-coupled, 50 ohms, 10 to 500 MHz divider input clock or PLL system reference

Internal Clock:

Type: Programmable VCXO from 10 to 810 MHz

Physical and Environmental

Size: 5.25" H x 8.5" W x 14.0" D
Weight: 17 lb (7.7 kg)
Operating Temp: 0° to +50° C
Storage Temp: -40° to +85° C
Relative Humidity: 5 to 95%, non-condensing
Operating Shock: 15 g max. (11 msec, half-sine wave)
Operating Vibration: 10 to 20 Hz: 0.02 inch peak,
 20 to 500 Hz: 1.4 g peak acceleration
Power Requirements: 100 to 240 VAC, 50 to 60 Hz, 150 W max.

Model RTR 2547 Ordering Information and Options

Channel Configurations

Option -201 1-channel recording
Option -202 2-channel recording
Option -221 1-channel playback
Option -222 2-channel playback

Storage Options

Option -410 3.8 TB SSD storage capacity
Option -415 7.6 TB SSD storage capacity
Option -420 15.3 TB SSD storage capacity
Option -430 30.6 TB SSD storage capacity

Additional Options

Option -261 GPS Time and Position Stamping
Option -285 Raid 5 Configuration
Option -286 Raid 6 Configuration
Option -309 16 GB System Memory
Option -310 32 GB System Memory
Option -014 400 MHz, 14-bit A/Ds
Option -630 6 to 30 VDC Power Supply

Contact Pentek for compatible Option combinations
Storage and Channel-count Options may change, contact Pentek for the latest information

Specifications subject to change without notice