

Small Form Factor Embedded Computer

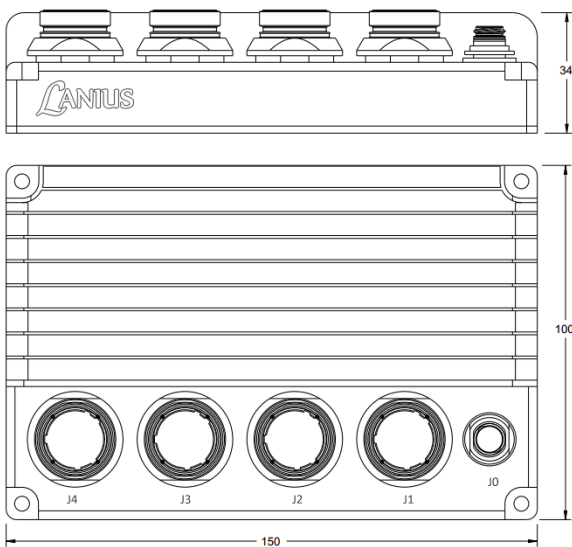
The Lanius-IA is a rugged small form factor (SFF) computer system, specifically tailored for the avionic, military and rugged industrial market. The system offers the best utilization of Size, Weight and Power (SWaP) in the industry, and strictly adheres to Commercial Off the Shelf (COTS) standards in the industry. Though its size is small, the Lanius is mighty.



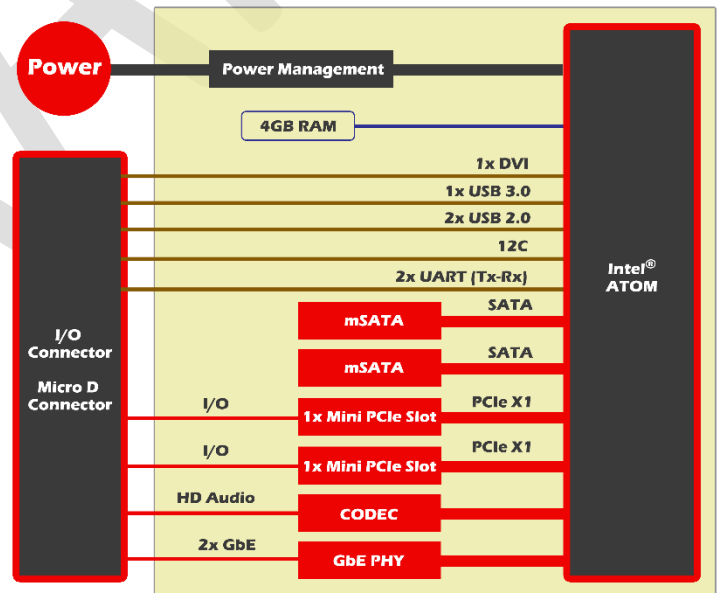
FEATURES

- CPU: Quad Core Atom @ 2.0Ghz
- Memory: 4 GB RAM
- 64 GB EMMC Flash
- Video: 1x DVI Output / 1x HDMI
- I/O: 2x GigE, 1x USB 3.0 / 2x USB 2.0, 2x Serial, Audio, GPIO, I2C
- Expansion: 2x mPCIe + 2x mSATA
- Dimensions: 150mm x 100 mm x 34mm
- Weight: ~0.8 Kg
- High Density Micro D Connector (Standard) / circular
- Power: 28 VDC @ 15-20 Watts (Varies per Options)
- Operating Temp: -40°C to +71°C
- Storage Temp: -40°C to +85°C
- MIL-STD-810F, MIL-STD-461F, MIL-STD-704F/1275D
- OS: Linux, Windows

Dimension in mm



For Ordering Configuration / Part Number - Contact Factory



US Sales

us-sales@trident-sff.com

Global Sales

global-sales@trident-sff.com

India Sales

india-sales@trident-sff.com