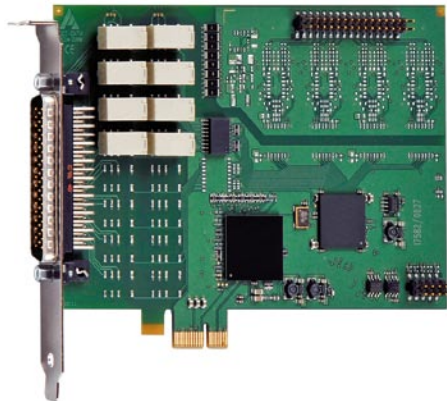


# Watchdog board, optically isolated, 7 watchdogs/timer

**New!\***

PCI  
EXPRESS®



Also for **PCI**  
see APCI-035, page 164



on request



LabVIEW™  
on request

## Features

Maximise the reliability of your telecom, ISP, Voice Mail, File Server or industrial systems under Windows operating systems with the APcIe-040 PCI Express watchdog board. The board is equipped with 7 watchdogs for simultaneous software and hardware monitoring. External devices can thus be monitored (e. g. alarm systems, PLCs) and controlled (e. g. modems, dialing devices).

In addition, the PCI Express watchdog board APcIe-040 has a two-level alarm system and can initiate a hardware reset in case of emergency. The principle is based on the computer software having to send signals to the board at regular intervals.

If the board does not receive an expected signal within a certain period of time, the first alarm level is activated. The emergency program is started which determines the cause and tries to remove the error. If this fails, the operating system and, if necessary, external devices are prepared for the hardware reset. The second alarm level is automatically triggered after a defined timeout. The internal PC temperature can be monitored through the onboard temperature sensor.

### Watchdog

- 7 watchdogs/timers
- 7 trigger channels/Gate inputs (24 V)
- Activation through software
- Configuration through software, readable
- Can be triggered through software or digital input
- Time base for the watchdog/timer:  $\mu$ s, ms, s, min
- Several alarm levels are possible for each watchdog
- Level 1 generates an interrupt or switches the warning relay, level 2 switches the reset relay (only watchdog 0 has 2 relays)
- With the two-level alarm, the operating system can be warned through an interrupt that a hardware reset is going to take place. There is then enough time to close the active tasks or to reset the warning relay.
- The alarm time can be read back at any time, so that the time remaining for further tasks can be established.
- Switching time of the reset relay: 2 s

### Defined state after booting

- The watchdogs are switched off through the system reset

## APcIe-040

7 watchdogs/timer

8 electromechanical relays  
with change-over contacts

7 digital inputs 24 V

2 alarm levels

Temperature monitoring from -35 °C to + 85 °C

Optical isolation 1000 V

### Diagnostic

- The status of the 7 watchdogs is readable
- 7 digital inputs (watchdog trigger or timer gate)

### Safety

- Optical isolation 1000 V

### Temperature measurement

- 1 temperature onboard sensor
- Alarm function when a programmable limit value is exceeded

### Digital inputs

- 7 inputs, optically isolated
- Input voltage 24 V

## Software drivers

A CD-ROM with the following software and programming samples is supplied with the board.

### Standard drivers for:

- Linux
- 32-bit drivers for Windows 8 / 7 / Vista / XP / 2000
- Signed 64-bit drivers for Windows 8 / 7 / XP
- Real-time use with Linux and Windows on request

### Drivers and samples for the following compilers and software packages:

- C#.NET, C

### On request:

Further operating systems, compilers and samples.

Driver download: [www.addi-data.com/downloads](http://www.addi-data.com/downloads)

\*Preliminary  
product information

Phone: +49 7229 1847-0  
Fax: +49 7229 1847-222

info@addi-data.com  
www.addi-data.com

**ADDI-DATA®**  
SPIRIT OF EXCELLENCE

## Specifications\*

### Relays

|                          |  |
|--------------------------|--|
| Type of contacts:        | 8 change-over                            |
| Max. switching voltage:  | 200 VDC, 200 VAC                         |
| Max. switching current:  | 2 A                                      |
| Max. switching capacity: | 60 W                                     |
| Contact resistance:      | < 100 mΩ                                 |
| Contact material:        | Ag and Au plated                         |
| Response time:           | Max. 4 ms, typ. 2.5 ms                   |
| Release time:            | Max. 4 ms, typ. 0.9 ms                   |
| Mechanical life:         | 5 x 10 <sup>8</sup> operations           |
| Electrical life:         | 10 <sup>8</sup> operations at rated load |

### Watchdogs/timers

|  |                                  |
|--|----------------------------------|
| Depth:                                       | 8-bit                            |
| Switching time of the reset relay:           | 2 s                              |
| Programmable time of the 7 watchdogs/timers: | Can be set from 2 μs to 255 min. |
| Time units:                                  | μs, ms, s, min                   |

### Digital inputs

|                          |                               |
|--------------------------|-------------------------------|
| Number of inputs:        | 7                             |
| Optical isolation:       | Through opto-couplers, 1000 V |
| Nominal voltage:         | 24 V                          |
| Input current:           | 5 – 8 mA                      |
| Signal delay:            | 70 μs (at 24 V)               |
| Maximal input frequency: | 10 kHz (at 24 V)              |

### Temperature monitoring

|                    |  |
|--------------------|--|
| Accuracy:          | ± 1 °C   |
| Measurement range: | -35 °C to 85 °C<br>(real range of application 0-60 °C) |
| Resolution:        | 8-bit  |

### Safety

|               |        |
|---------------|--------|
| Test voltage: | 1000 V |
|---------------|--------|

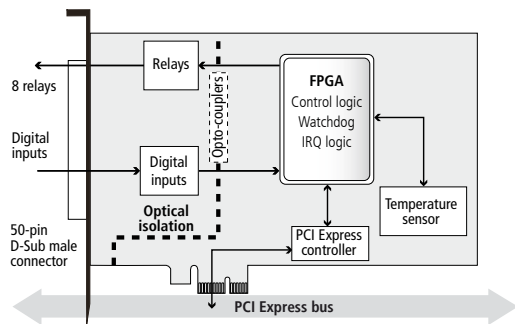
### EMC – Electromagnetic compatibility

The product complies with the European EMC directive. The tests were carried out by a certified EMC laboratory in accordance with the norm from the EN 61326 series (IEC 61326). The limit values as set out by the European EMC directive for an industrial environment are complied with. The respective EMC test report is available on request.

### Physical and environmental conditions

|                           |  |
|---------------------------|--|
| Dimensions:               | 149 x 99 mm  |
| System bus:               | Acc. to PCI Express base specification, Revision 1.0a (PCI Express 1.0a) |
| Space required:           | 1-/4-lane, 1 PCI Express slot  |
| Operating voltage:        | +3.3 V from the PC   |
| Max. current consumption: | 0,67 A ±10 %   |
| Front connector:          | 50-pin D-Sub male connector  |
| Temperature range:        | 0 to 60 °C (with forced cooling)   |

### Simplified block diagram

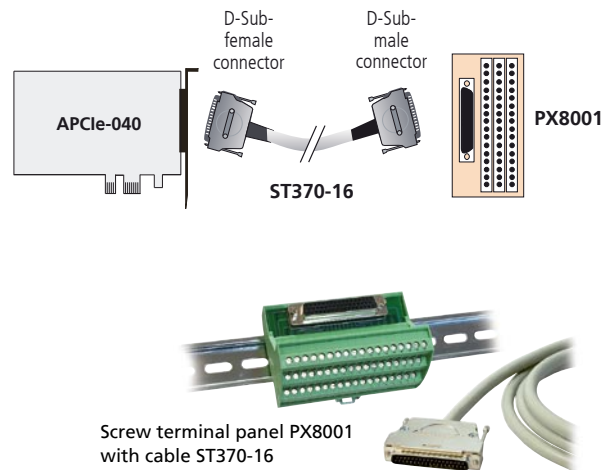


### Pin assignment

| Pin | Pin                 | Pin | Pin            |
|-----|---------------------|-----|----------------|
| 34  | OC of relay 0       | 18  | CC of relay 0  |
| 35  | OC of relay 1*      | 19  | CC of relay 1* |
| 36  | OC of relay 2       | 20  | CC of relay 2  |
| 37  | OC of relay 3       | 21  | CC of relay 3  |
| 38  | OC of relay 4       | 22  | CC of relay 4  |
| 39  | OC of relay 5       | 23  | CC of relay 5  |
| 40  | OC of relay 6       | 24  | CC of relay 6  |
| 41  | OC of relay 7       | 25  | CC of relay 7  |
| 42  | Digital input 0 (+) | 26  | -              |
| 43  | Digital input 1 (+) | 27  | -              |
| 44  | Digital input 2 (+) | 28  | -              |
| 45  | Digital input 3 (+) | 29  | -              |
| 46  | Digital input 4 (+) | 30  | -              |
| 47  | Digital input 5 (+) | 31  | -              |
| 48  | Digital input 6 (+) | 32  | -              |
| 49  | -                   | 33  | -              |
| 50  | -                   | -   | -              |

OC: opening contact CC: closing contact CO: change-over contact \* = reset relay

### ADDI-DATA connection



## Ordering information

### APcle-040

Watchdog board, optically isolated, 7 watchdogs/timer. Incl. technical description and software drivers.

**APcle-040:** 7 watchdogs, 8 relays, 7 digital inputs, 24 V

### Accessories

**PX8001:** 3-row screw terminal panel, 50-pin, for DIN-rail mounting

**ST370-16:** Shielded round cable, 2 m

\* Preliminary product information