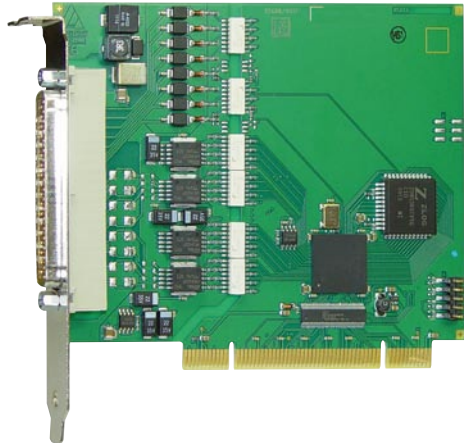


Digital input board, optically isolated, 16 digital inputs, 24 V



APCI-1016

16 digital inputs, 24 V

Optical isolation 1000 V

Input filters

Reverse voltage protection



PCI 32-bit



Signed 64-bit drivers
for Windows 7/XP



LabVIEW™



LabWindows/CVI™



Features

- 16 optically isolated digital inputs, 24 V

Safety features

- Optical isolation 1000 V
- Creeping distance IEC 61010-1
- Reverse voltage protection
- All inputs are filtered
- Protection against fast transients (burst), overvoltage, electrostatic discharge and high-frequency EMI

Applications

- Industrial I/O control
- Signal switching
- Interface to electromechanical relays
- Automatic test equipment
- ON/OFF monitoring of motors, lights...
- Machine interfacing
- ...

Software drivers

A CD-ROM with the following software and programming samples is supplied with the board.

Standard drivers for:

- Linux
- 32-bit drivers for Windows 8 / 7 / Vista / XP / 2000
- Signed 64-bit drivers for Windows 8 / 7 / XP
- Real-time use with Linux and Windows on request

Drivers and samples for the following compilers and software packages:

- .NET
- Microsoft VC++ • Borland C++
- Visual Basic • Delphi
- LabVIEW • LabWindows/CVI • DIAdem

ADDIPACK functions:

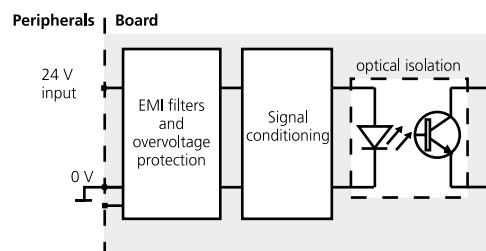
Digital input

On request:

Further operating systems, compilers and samples.

Driver download: www.addi-data.com/downloads

Protective circuit for the input channels



Specifications

Digital inputs

Number of inputs:	16
Optical isolation:	Through opto-couplers, 1000 V from PC to peripheral
Nominal voltage:	24 V
Input current at U nominal:	6 mA typ.
Logic input levels:	U nominal: 24 V
UH max.:	30 V/current 9 mA typ.
UH min.:	19 V/current 2 mA typ.
UL max.:	14 V/current 0.7 mA typ.
UL min. at nominal voltage:	0 V/current 0 mA typ.
Signal delay:	70 µs
Maximal input frequency:	5 kHz at nominal voltage

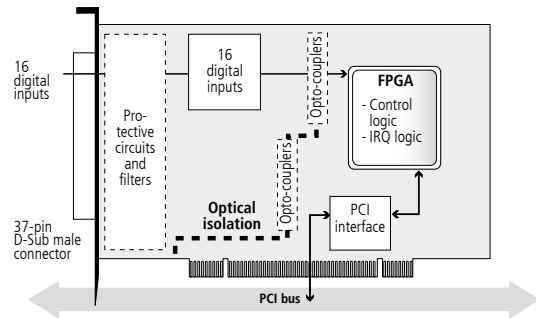
EMC – Electromagnetic compatibility

The product complies with the European EMC directive. The tests were carried out by a certified EMC laboratory in accordance with the norm from the EN 61326 series (IEC 61326). The limit values as set out by the European EMC directive for an industrial environment are complied with. The respective EMC test report is available on request.

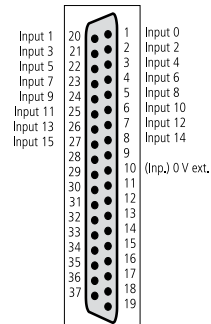
Physical and environmental conditions

Dimensions:	131 x 99 mm (PCI short)
System bus:	PCI 32-bit 3.3/5 V acc. to specification 2.1 (PCISIG)
Space required:	1 PCI slot
Operating voltage:	+5 V, ± 5 % from the PC
Max. current consumption:	(+5 V from the PC) 190 mA ± 10 mA typ.
Front connector:	37-pin D-Sub male connector
Temperature range:	0 to 60 °C (with forced cooling)

Simplified block diagram



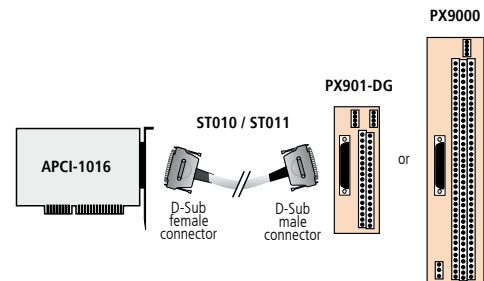
Pin assignment – 37-pin D-Sub male connector



ADDI-DATA connection

APCI-1016

Screw terminal panels PX9000 and PX901-DG with cable ST010



Ordering information

APCI-1016

Digital input board, optically isolated, 16 digital inputs, 24 V. Incl. technical description and software drivers

Accessories

- PX901-D:** Screw terminal panel, LED status display
- PX901-DG:** Screw terminal panel, LED status display, for DIN rail
- PX9000:** 3-row screw terminal panel for DIN rail, LED status display
- ST010:** Standard round cable, shielded, twisted pairs, 2 m
- ST011:** Standard round cable, shielded, twisted pairs, 5 m